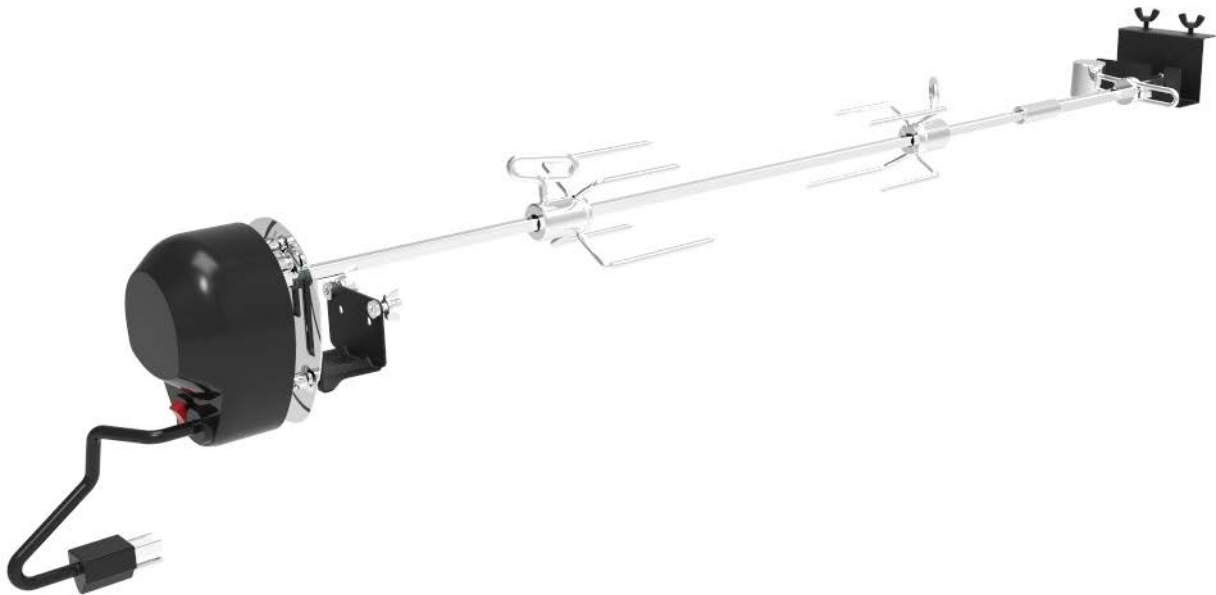


**ASSEMBLY MANUAL & PARTS LIST - MANUEL DE MONTAGE & LISTE DE PIECES - MANUAL DE ARMADO Y LISTA DE PARTES**

ACCESSORY NO.	USED ON MODELS
60669 – North America	
60666 – EU Type “E”	Regal™ Pellet Series
60664 – UK Type “G”	Crown™ Pelle Series
60665 – Swiss Type “J”	

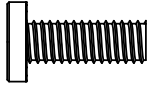
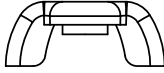
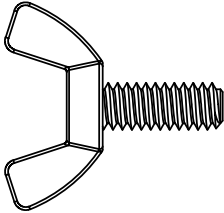


**RETAIN FOR FUTURE REFERENCE - VEUILLEZ CONSERVER POUR REFERENCE ULTERIEURE - CONSERVER PARA FUTURAS CONSULTAS**



HARDWARE INCLUDED / MATERIAL INCLUS / EQUIPOS INCLUIDO



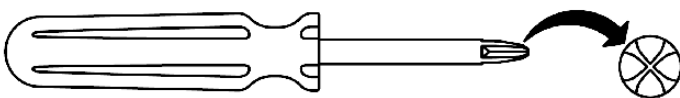
S35095		X2	S21061		X2
Y-11698S		X2			



TOOLS REQUIRED / OUTILS NECESSAIRES / HERRAMIENTAS NECESARIAS

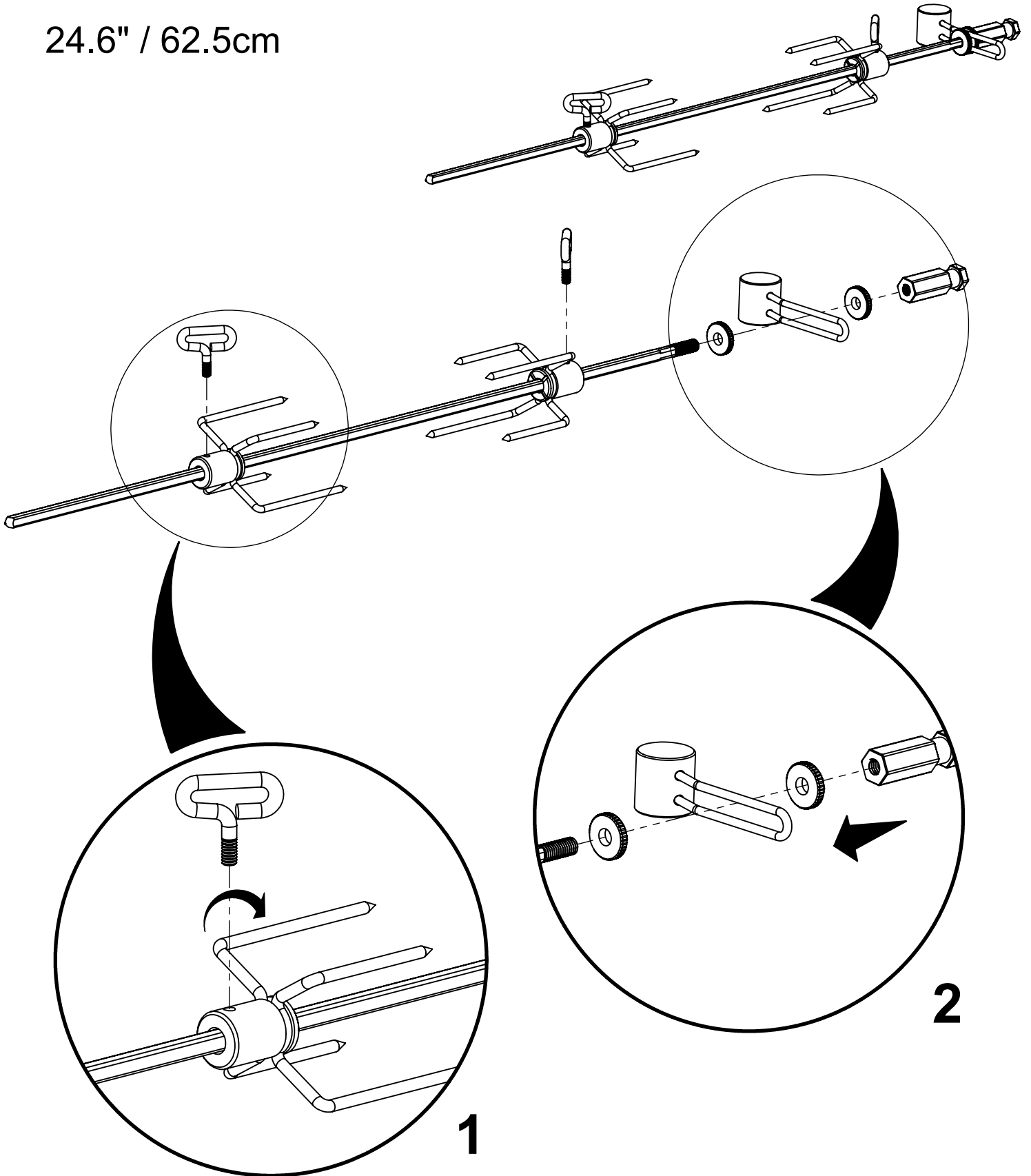


#3 PHILLIPS



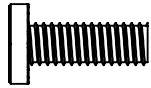
1

24.6" / 62.5cm

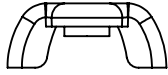


**2**

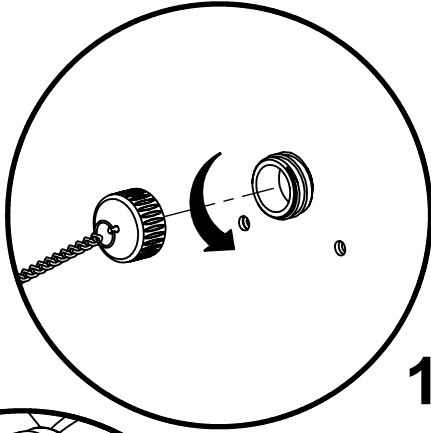
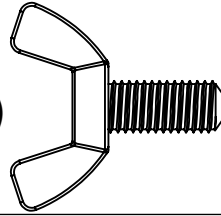
(2)



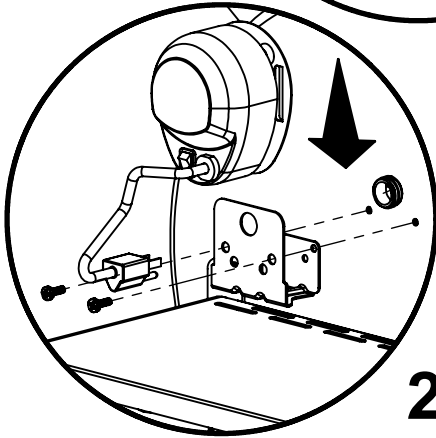
(2)



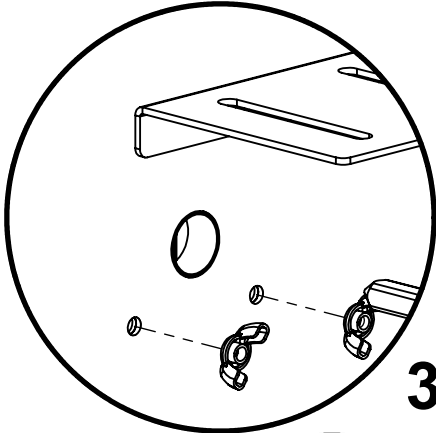
(2)



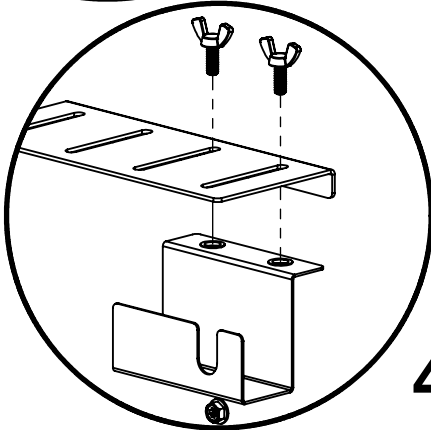
**1**



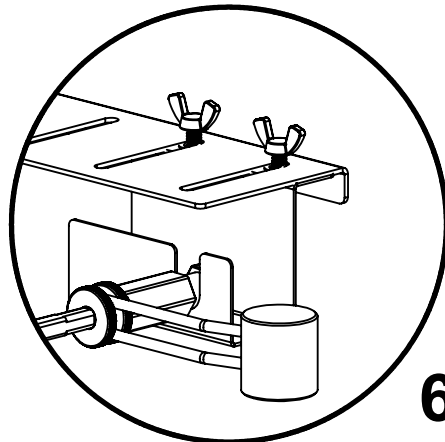
**2**



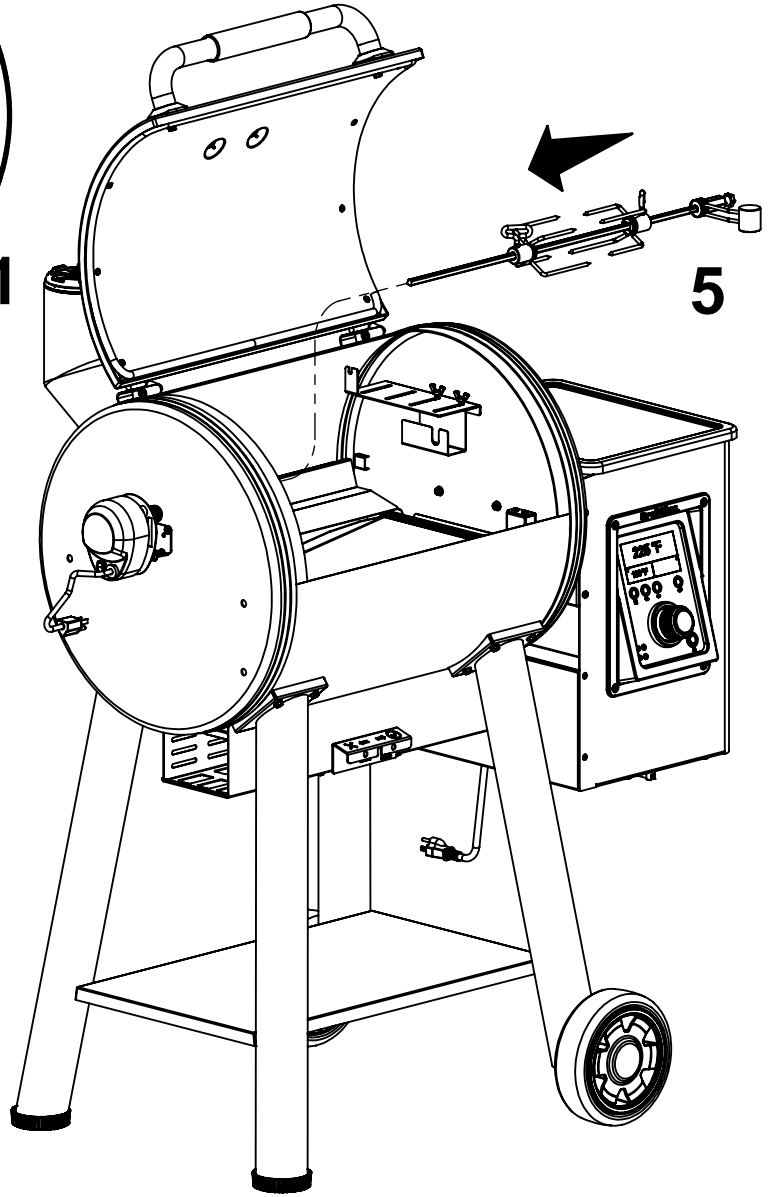
**3**



**4**



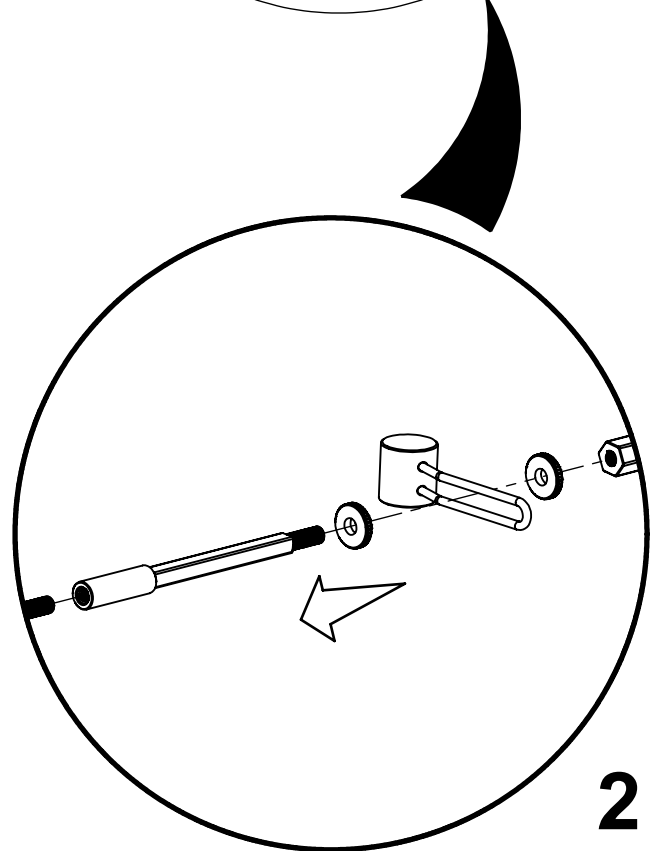
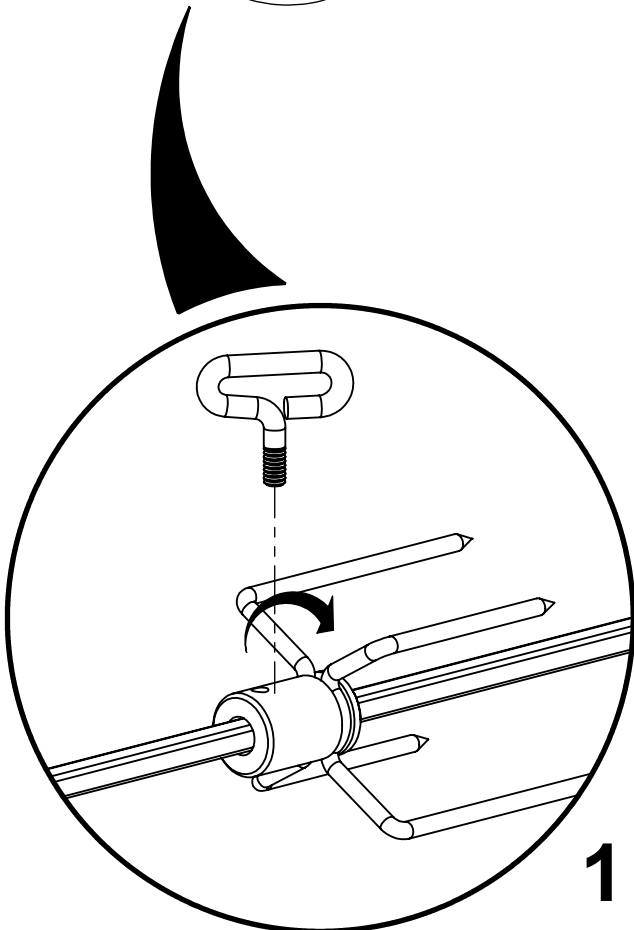
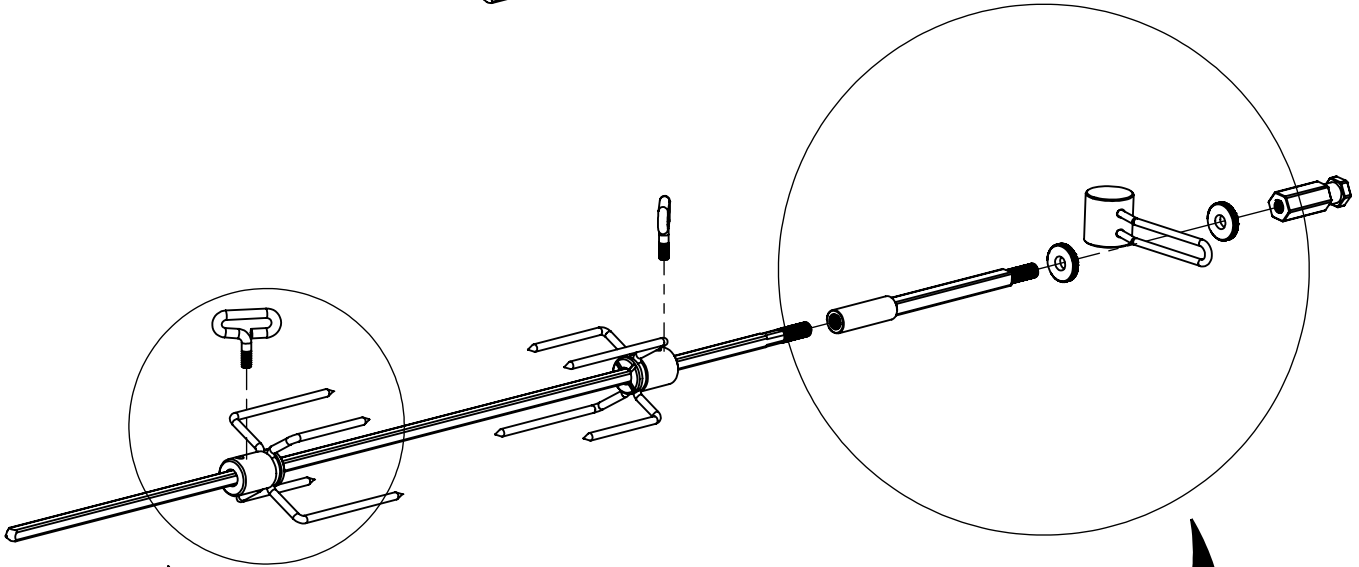
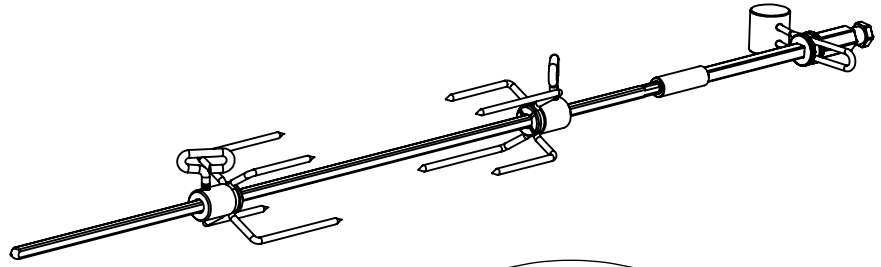
**6**



**5**

**3**

31" / 78.8cm

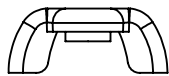


**4**

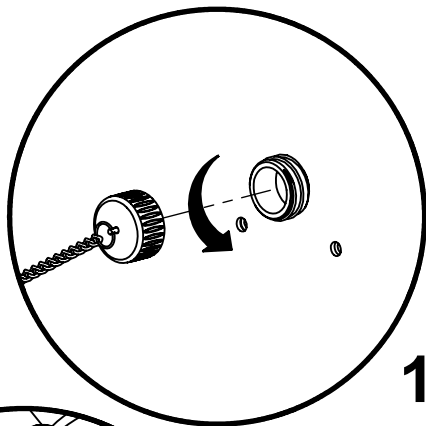
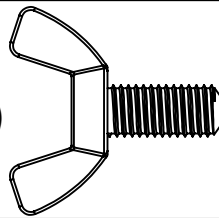
(2)



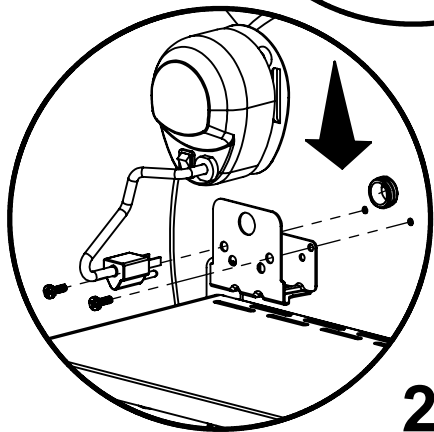
(2)



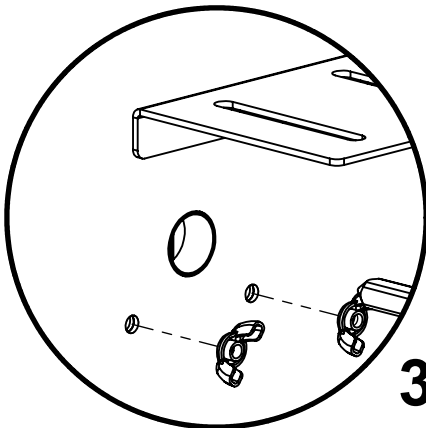
(2)



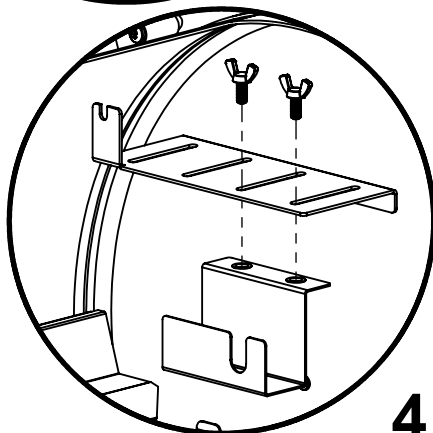
**1**



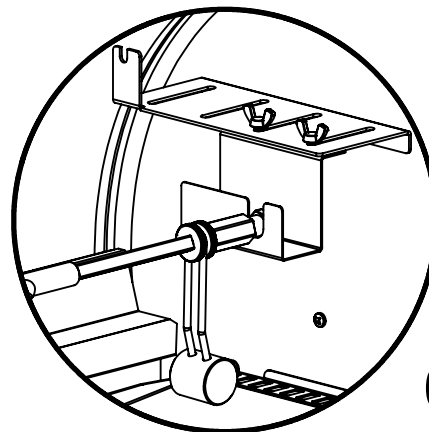
**2**



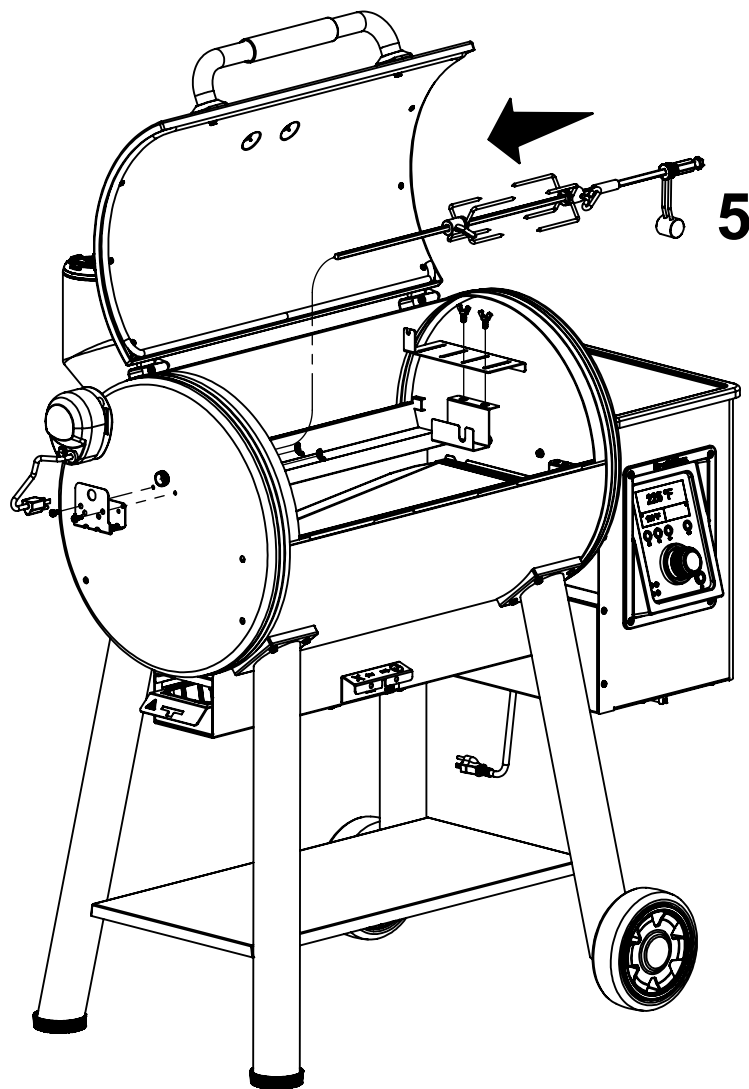
**3**



**4**



**6**



**5**





[info@omcbbq.com](mailto:info@omcbbq.com)  
1-800-265-2150