

Broil King®

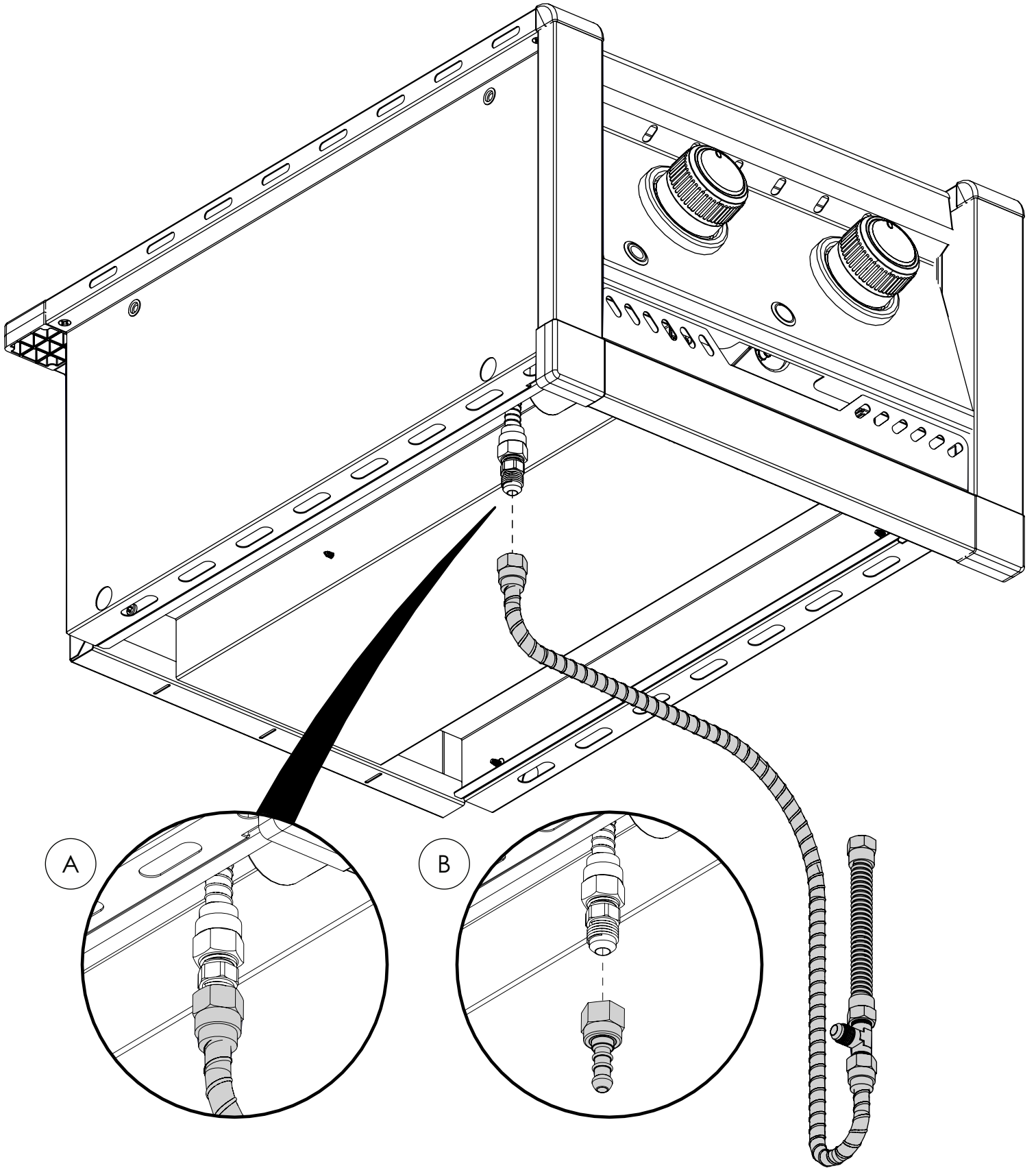


Broil King
S200 RANGE BURNER
803762
803763
803763PL
803766

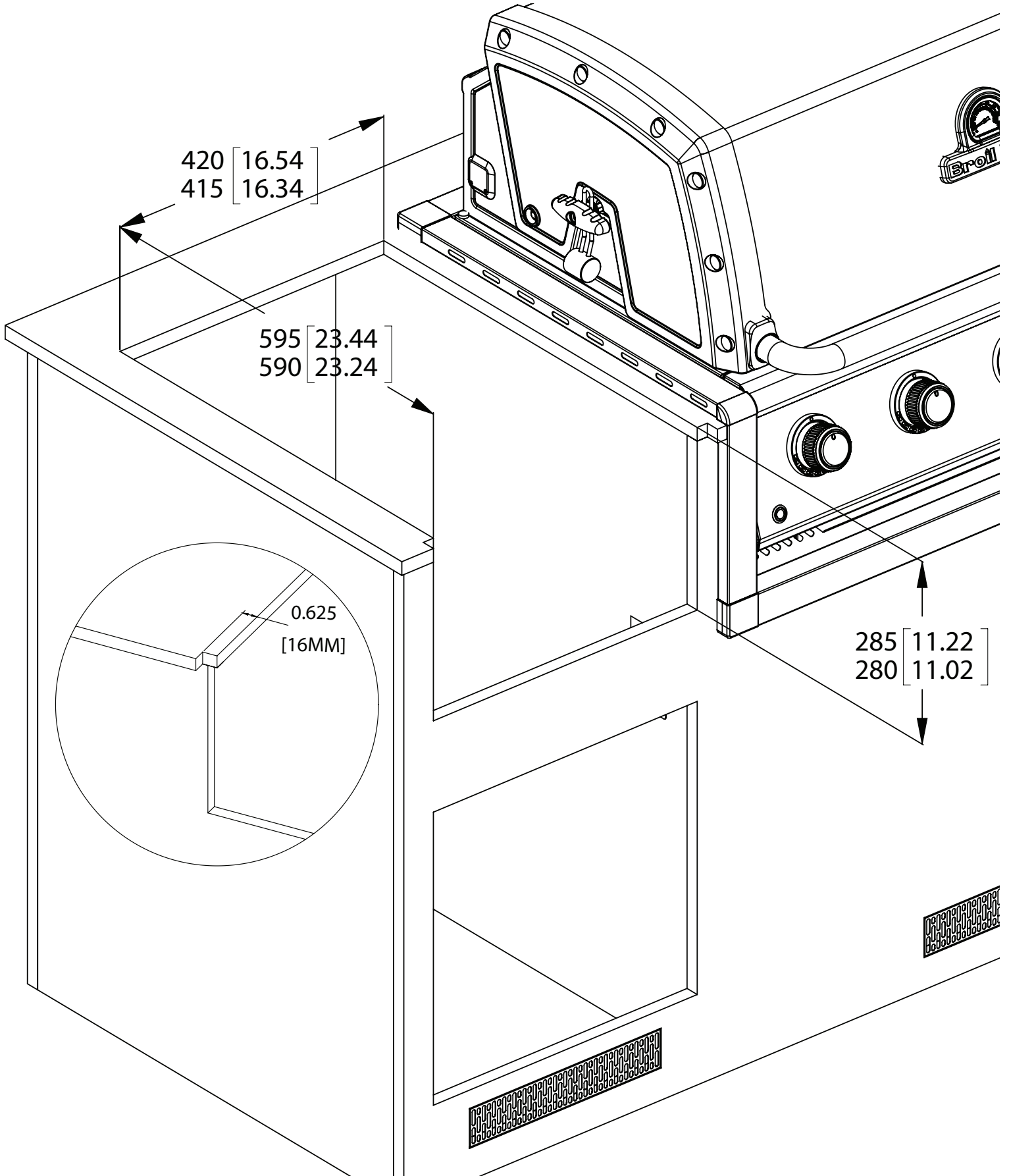
Onward
MANUFACTURING COMPANY
SINCE 1906
585 KUMPF DRIVE LIMITED
WATERLOO, ONTARIO, CANADA
N2V 1K3

70084-S200EU REV D 09/23

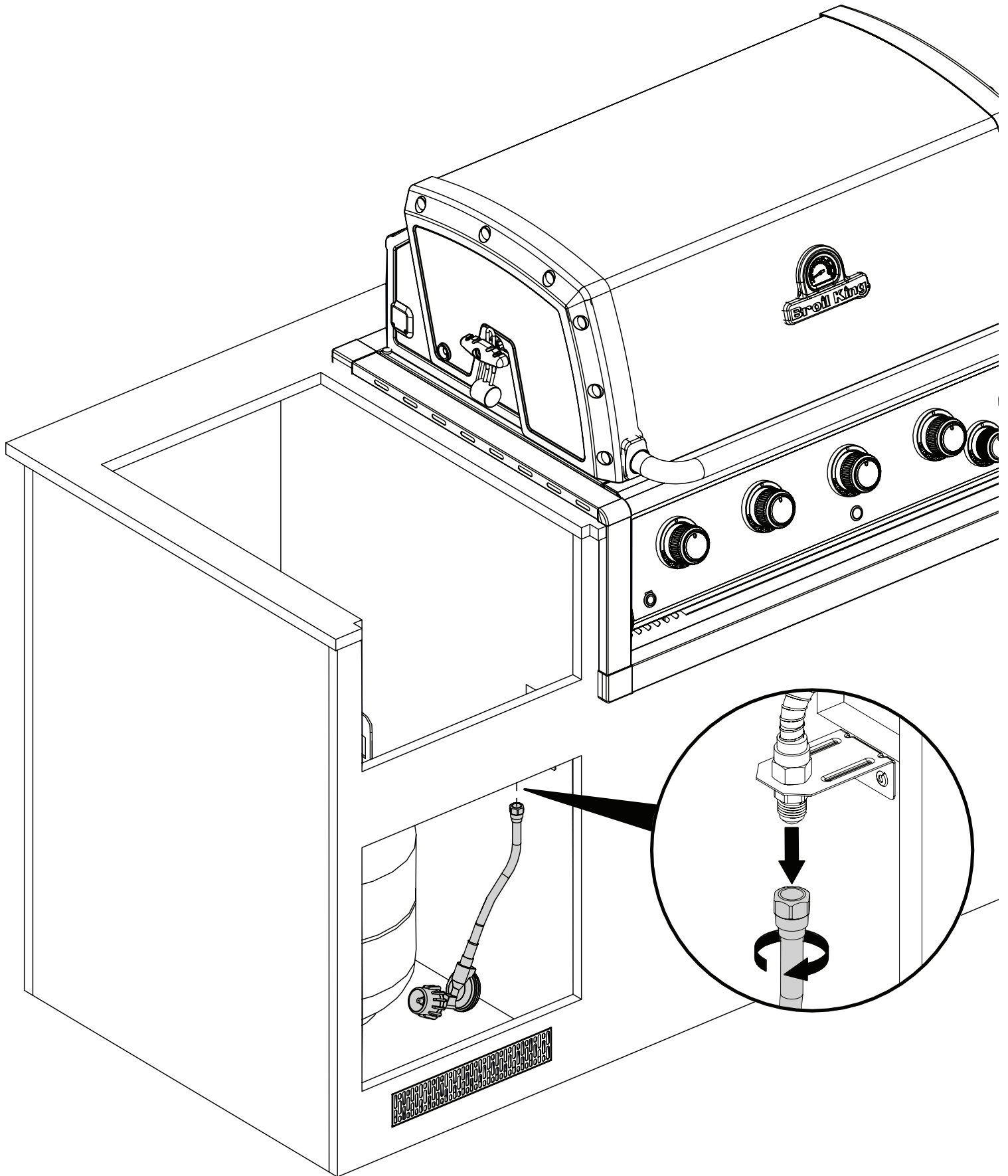
1



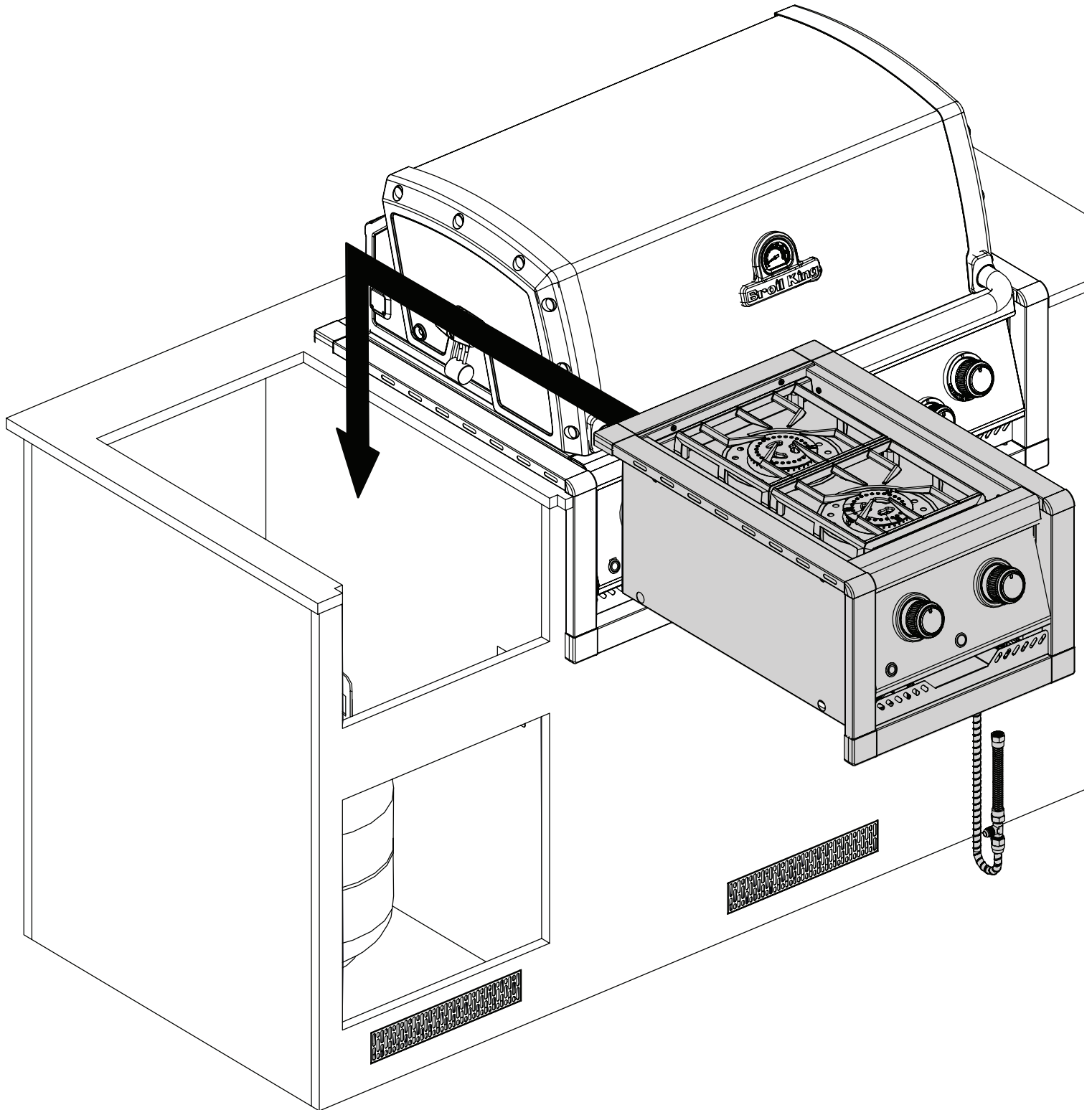
2



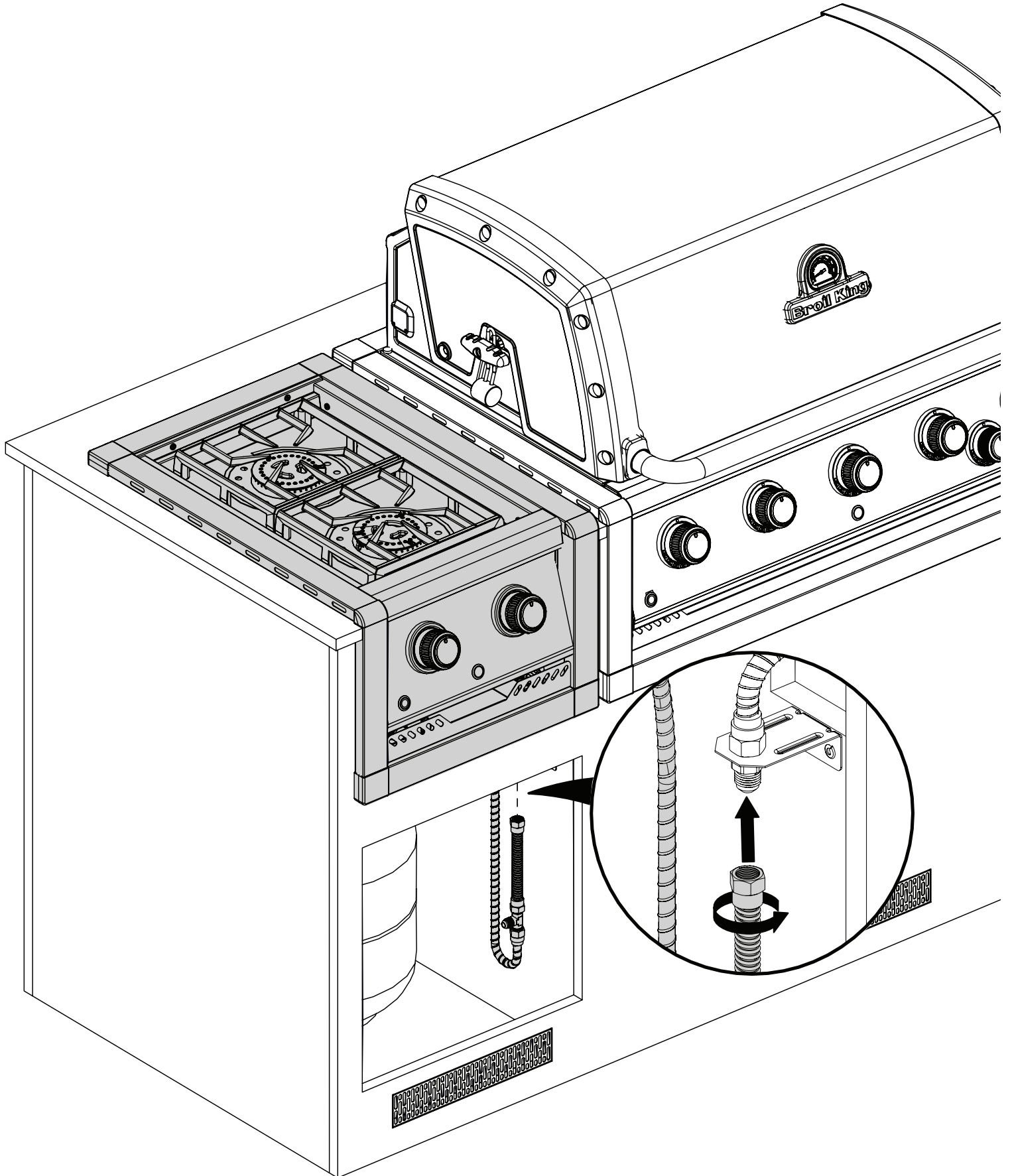
3

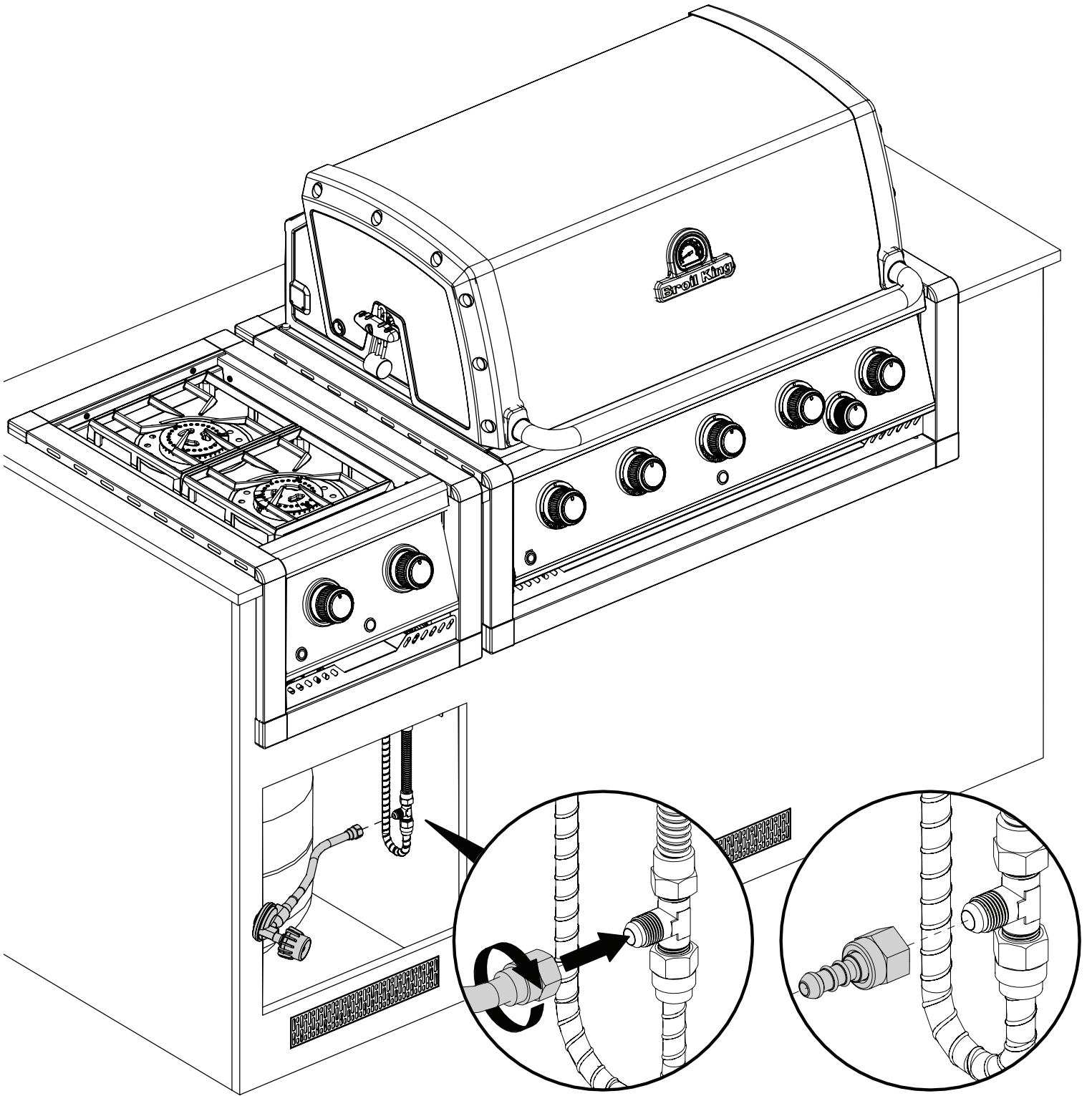


4



5



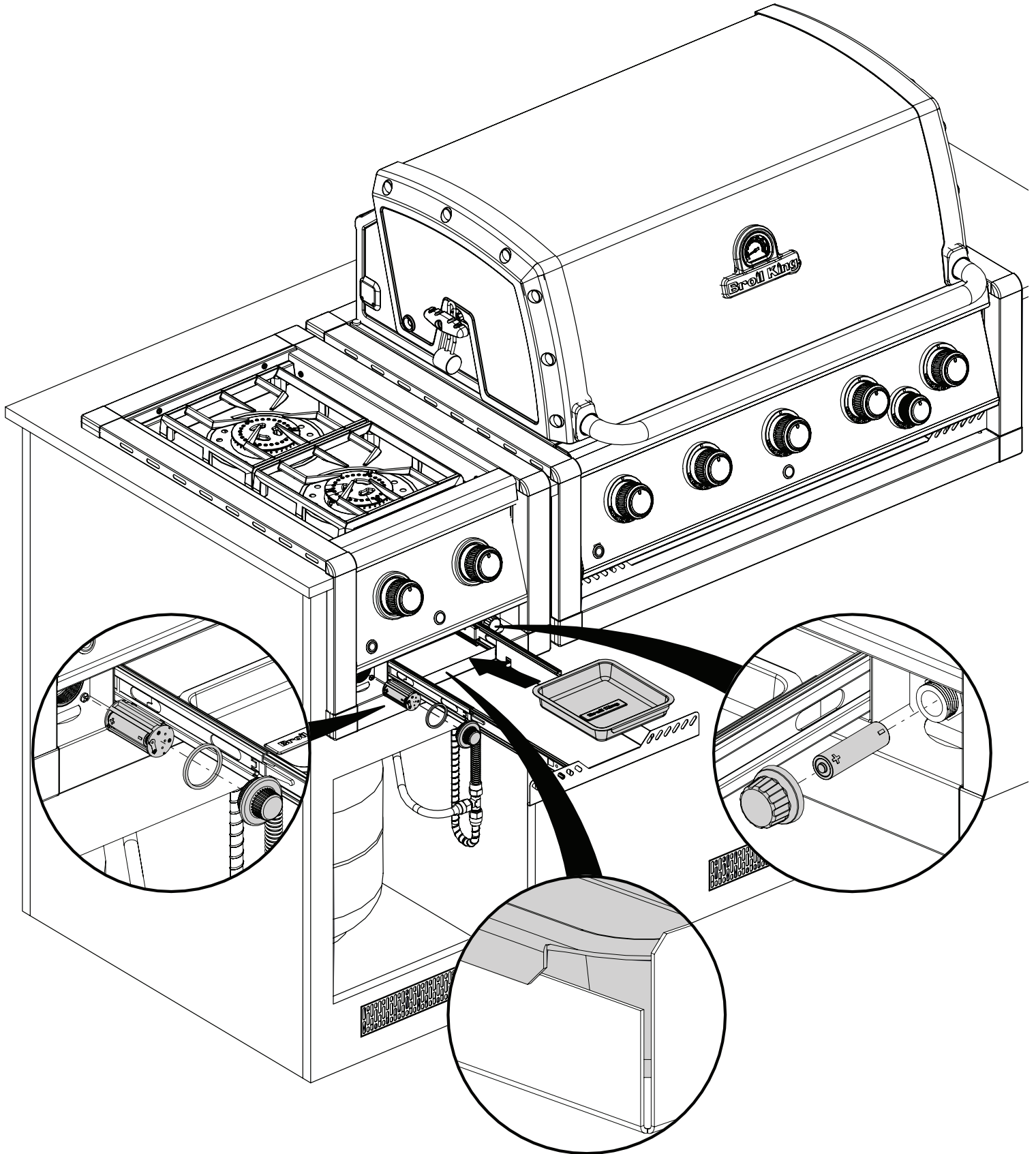


7

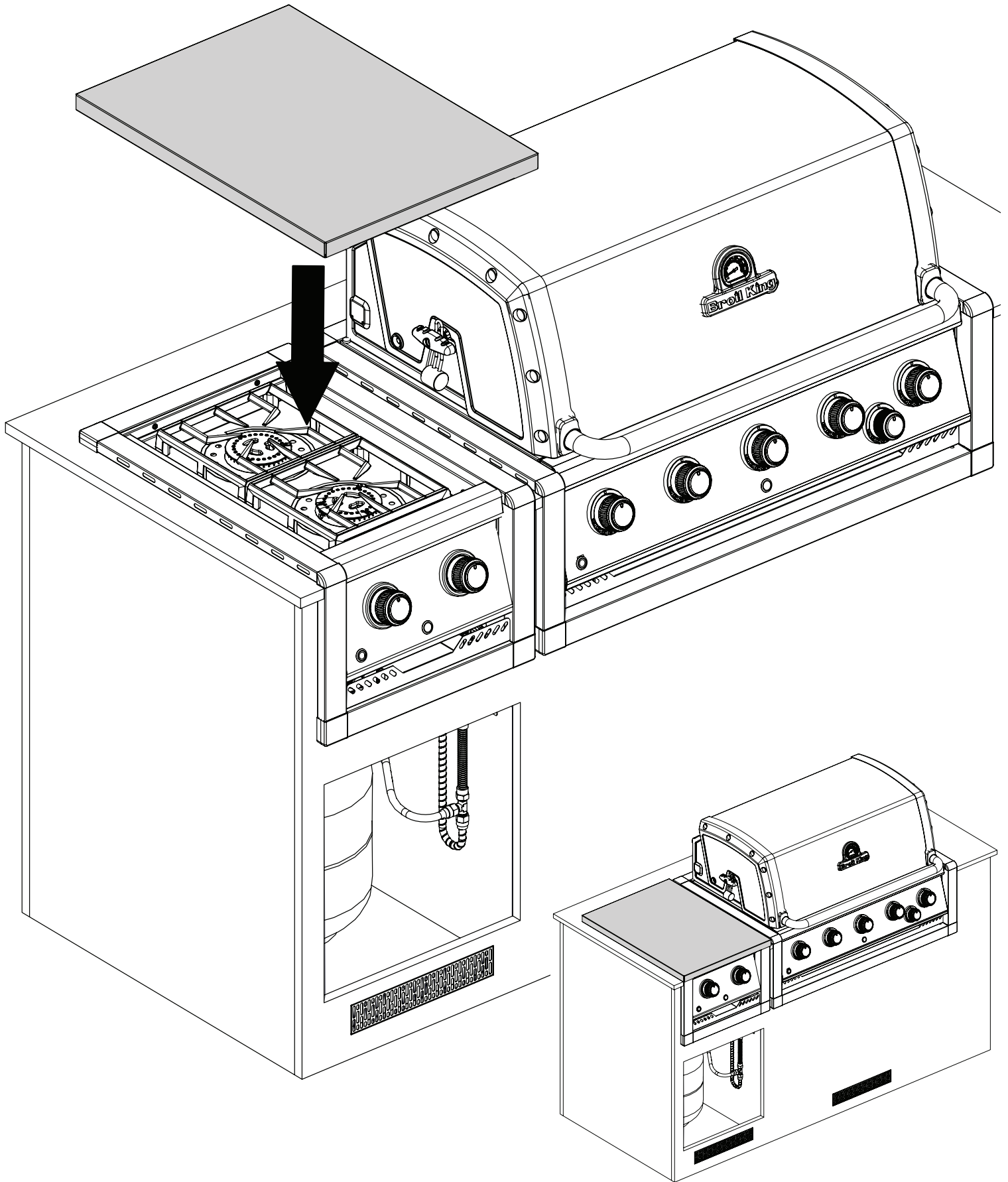
(4)



AA



8



<u>KEY #</u>	<u>ITEM #</u>	<u>803762</u>	<u>803763</u>	<u>803763PL</u>	<u>803766</u>
1	73009-203A	1	1	1	1
2	71109-033R	1	1	1	1
3	71109-043R	1	1	1	1
4	73309-223	1	1	1	1
5	73209-213	1	1	1	1
6	71209-033	2	2	2	2
7	73199-273	1	1	1	1
8	73609-203	1	1	1	1
9	73169-213	1	1	1	1
10	73109-203	1	1	1	1
11	73000-253	1	1	1	1
12	73409-381A	2	2	2	2
13	72053-007	1	1	1	1
14	Y-99101	1	1	1	1
15	25080-80	1	1	1	1
16	Y-12130	4	4	4	4
17	Y-12131	2	2	2	2
18	22002-264	2	2	2	2
19	22001-769	2	2	2	2
20	25070-95	1	1	1	1
21	25070-93	1	1	1	1
22	25070-92	1	1	1	1
23	10342-42	1	1	1	1
24	10153-27A	1	1	1	1
24A	10153-37	1	1	1	1
25	79003-012 - DE	1	•	•	•
	79003-013 - EU	•	1	•	•
	79003-013PL - PL	•	•	1	•
	79003-016 - NG	•	•	•	1
26	10390-R50A	2	2	2	2
27	10342-T14	2	2	2	2
30	S21125	4	4	4	4
31	S21124	2	2	2	2
32	Y-29301	12	12	12	12
33	Y-29304S	18	18	18	18
34	Y-12865	4	4	4	4
35	Y-11230	2	2	2	2
36	S21127S	4	4	4	4
37	Y-12871	6	6	6	6
40	25030-73	1	1	1	1
41	25020-82	1	1	1	1

